

eW Burst Compact Powercore

Date: _____

Type: _____

Firm Name: _____

Project: _____

2700 K, 23° Spread Lens, Gray Housing, UL/cUL/CE, Landscape

Exterior compact architectural and landscape spotlight with single temperature white light

eW Burst Compact Powercore is a high-output, exterior LED spotlight designed for accent and site lighting. Architectural and landscape versions deliver high-quality white light in a warm 2700 K and a neutral 4000 K to support a range of uplighting, floodlighting, and decorative lighting applications.



- Integrates patented Powercore technology—Powercore rapidly, efficiently, and accurately controls power output to luminaires directly from line voltage, eliminating the need for an external power supply. Contractor-friendly installation dramatically simplifies installation and lowers total system cost.
- Support for a wide range of architectural and landscape applications—Architectural luminaires feature an integrated yoke with canopy base for mounting to standard US junction boxes or directly to a flat surface or substrate as local codes permit. Landscape luminaires feature a 1/2 in NPT threaded post for mounting to standard junction boxes and third-party mounting accessories such as stanchion mounts, posts, and stakes for use in softscape and hardscape applications.
- Exchangeable optics and accessories—Available 14°, 23°, 41°, and asymmetric 10° x 41° spread lenses project a soft-edge beam to support a wide range of lighting applications. Native 8° beam angle offers extended light projection. Available glare shields block spill light, while honeycomb louvers limit the spread of light for a more focused and intense beam.
- Versatile light positioning—Luminaires can tilt through a full 180°. Architectural luminaires can also rotate through a full 360° for precise aiming. Locking screws accept standard hex wrenches to secure luminaires firmly in position.
- Universal power input range—Accepts a universal power input range of 100 to 277 VAC, allowing the installation of multiple units in a continuous run.
- Outdoor rated—With a rugged, die-cast aluminium housing fully sealed for maximum luminaire life and IP66-rated for outdoor applications, eW Burst Compact Powercore is ideal for use in damp or wet locations.

For detailed product information, please refer to the Burst Product Guide at www.colorkinetics.com/global/products/essentialwhite/ewburstcompactpc/

Specifications

Due to continuous improvements and innovations, specifications may change without notice.

Output

| | |
|---------------------|--------|
| Color Temperature * | 2700 K |
| Beam Angle | 23° |
| Lumens † | 540 |
| Efficacy (lm/W) | 36.2 |
| CRI | 83 |

Electrical

| | |
|---|--|
| Input Voltage | 100 to 277 VAC, auto-ranging, 50/60 Hz |
| Power Consumption (Maximum at full output, steady state) | 15 W |
| Power Factor | 0.99 @ 120 VAC |
| Surge Limits ¶ | 1 kV maximum differential (L to N) 2 kV maximum common (L to Gnd or N to Gnd) |

For additional Surge Protection Requirements for LED Lighting Systems, please refer to www.colorkinetics.com/KB/surge-protection.

Control

Dimmer ‡

Compatible with selected commercially available reverse-phase ELV-type dimmers

Lumen Maintenance

| Threshold§ | Ambient Temperature | Reported ¶¶ | Calculated ¶¶ |
|-----------------|---------------------|-------------|---------------|
| L ₇₀ | 25 °C | 90,000 | |
| | 50 °C | 50,000 | |
| L ₅₀ | 25 °C | > 100,000 | |
| | 50 °C | 90,000 | |

* Correlated color temperature (CCT) complies with ANSI C78.377-2008 for the chromaticity of solid state lighting products.

† Lumen output measurements comply with IES LM-79-08 testing procedures.

‡ Refer to www.colorkinetics.com/support/appnotes/ for more information.

§ L_{xx} = xx% lumen maintenance (when light output drops below xx% of initial output). All values are given at B10, or the median value where 90% of the LED population is better than the reported or calculated lumen maintenance measurement.

¶ Minimum surge limits per IEC 61547, tested in accordance with IEC 61000-4-5.

¶¶ Lumen maintenance figures are based on lifetime prediction graphs supplied by LED source manufacturers. Whenever possible, figures use measurements that comply with IES LM-80-08 testing procedures. In accordance with TM-21-11, Reported values represent the interpolated value based on six times the LM-80-08 total test duration (in hours). Calculated values represent time durations that exceed six times the total test duration.

Physical

| | |
|--|---|
| Dimensions (Height x Width x Depth) | 205 x 114 x 178 mm (8.06 x 4.5 x 7.0 in) |
| Weight | 2 kg (4.4 lb) |
| Housing Material | Die-cast aluminium, gray powder-coated finish |
| Lens | Tempered glass |
| Luminaire Connections | 152 mm (6 in) flying leads |

Temperature Ranges

-40 to 50 °C (-40 to 122 °F) Operating
-20 to 50 °C (-4 to 122 °F) Startup
-40 to 80 °C (-40 to 176 °F) Storage

Corrosion Resistance

Not suitable for salt spray or harsh chemical environments. Please refer to www.colorkinetics.com/KB/corrosion-resistance for more information.

Humidity 0 to 95%, non-condensing

Thermal Protection enabled

For additional Thermal Protection information, please refer to <https://colorkinetics.helpdocs.io/article/sh301ducix>

Luminaire Run Lengths

To calculate luminaire run lengths and total power consumption for your specific installation, download the Configuration Calculator from www.colorkinetics.com/support/install_tool/

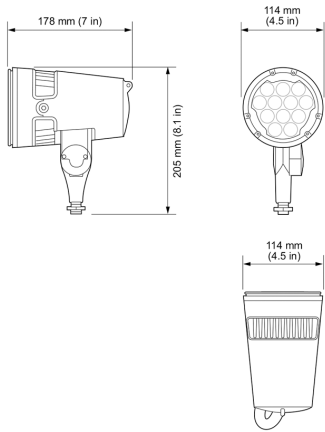
Certification and Safety

| | |
|-------------|--------------------------------------|
| Approbation | UL/cUL, FCC Class A, CE, C-Tick, SAA |
| Environment | Dry/Damp/Wet Location, IP66 |

For additional Energy Efficiency Class Information, please refer to <https://colorkinetics.helpdocs.io/article/cvis2p8qq>.



Dimensions



Photometrics 2700 K, 23° spread lens

Photometric data is based on test results from an independent NIST traceable testing lab. IES data is available at www.colorkinetics.com/global/support/ies.

| | |
|-----------------|--------|
| Beam Angle | 23° |
| LED | 2700 K |
| Lumens | 540.0 |
| Efficacy (lm/W) | 36.2 |



Illuminance at Distance

| | Center Beam fc | Beam Width |
|---------|----------------|---------------|
| 4.0 ft | 186 fc | 1.5 ft 1.5 ft |
| 8.0 ft | 46 fc | 3.0 ft 3.0 ft |
| 12.0 ft | 21 fc | 4.5 ft 4.6 ft |
| 16.0 ft | 12 fc | 6.0 ft 6.1 ft |
| 20.0 ft | 7 fc | 7.5 ft 7.6 ft |
| 24.0 ft | 5 fc | 9.0 ft 9.1 ft |

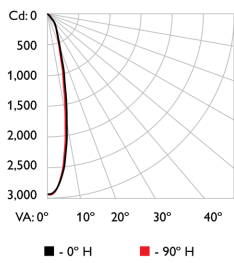
Zonal Lumen

| Zonal Lumen Summary | | |
|---------------------|--------|-------|
| ZONE | LUMENS | %FIXT |
| 0- 30 | 492 | 91.2 |
| 0- 40 | 516 | 95.5 |
| 0- 60 | 536 | 99.3 |
| 0- 90 | 540 | 100.0 |
| 90-180 | 0 | 0.0 |
| 0-180 | 540 | 100.0 |

16.6 m (54.5 ft)
1 fc maximum distance
Vert. Spread: 21.3°
Horiz. Spread: 21.6°

For lux multiply fc by 10.7

Polar Candela Distribution



Candela Table

| | 0.0 | 45.0 | 90.0 | 135.0 | 180.0 |
|----|------|------|------|-------|-------|
| 0 | 2971 | 2971 | 2971 | 2971 | 2971 |
| 5 | 2520 | 2544 | 2580 | 2600 | 2592 |
| 15 | 762 | 776 | 783 | 764 | 747 |
| 25 | 124 | 125 | 121 | 111 | 105 |
| 35 | 36 | 37 | 37 | 36 | 34 |
| 45 | 15 | 16 | 17 | 19 | 17 |
| 55 | 6 | 6 | 8 | 9 | 9 |
| 65 | 1 | 2 | 3 | 4 | 4 |
| 75 | 0 | 0 | 1 | 1 | 2 |
| 85 | 0 | 0 | 0 | 0 | 0 |
| 90 | 0 | 0 | 0 | 0 | 0 |

Coefficients of Utilization – Zonal Cavity Method

| RC | Effective Floor Cavity Reflectance: 20% | | | | | | | | | | | | | | |
|----|---|-----|-----|-----|------|-----|-----|-----|------|------|------|------|-----|-----|-----|
| | 80 | | 70 | | 50 | | 30 | | 10 | | | | | | |
| RW | 70 | 50 | 30 | 10 | 70 | 50 | 30 | 10 | 50 | 30 | 10 | 50 | 30 | 10 | 0 |
| 0 | 1191 | 191 | 191 | 119 | 1161 | 161 | 161 | 116 | 1111 | 1111 | 1111 | 1061 | 061 | 06 | 102 |
| 1 | 1151 | 131 | 111 | 109 | 1131 | 111 | 109 | 107 | 1051 | 04 | 1031 | 021 | 01 | 100 | 99 |
| 2 | 1111 | 107 | 104 | 102 | 1091 | 061 | 031 | 101 | 1031 | 00 | 98 | 100 | 98 | 96 | 97 |
| 3 | 1071 | 03 | 99 | 96 | 1061 | 01 | 98 | 95 | 99 | 96 | 94 | 97 | 94 | 92 | 94 |
| 4 | 104 | 99 | 95 | 92 | 102 | 98 | 94 | 91 | 96 | 92 | 90 | 94 | 91 | 89 | 92 |
| 5 | 101 | 95 | 91 | 88 | 100 | 94 | 90 | 87 | 93 | 89 | 87 | 91 | 88 | 86 | 90 |
| 6 | 98 | 92 | 88 | 85 | 97 | 91 | 87 | 84 | 90 | 86 | 84 | 89 | 86 | 83 | 87 |
| 7 | 95 | 89 | 85 | 82 | 94 | 88 | 84 | 82 | 87 | 84 | 81 | 86 | 83 | 81 | 85 |
| 8 | 93 | 86 | 82 | 79 | 92 | 86 | 82 | 79 | 85 | 81 | 79 | 84 | 81 | 79 | 83 |
| 9 | 90 | 84 | 80 | 77 | 90 | 83 | 80 | 77 | 83 | 79 | 77 | 82 | 79 | 77 | 81 |
| 10 | 88 | 82 | 78 | 75 | 88 | 81 | 78 | 75 | 81 | 77 | 75 | 80 | 77 | 75 | 79 |

Luminaire and Accessories

Use Item Number when ordering in North America

Luminaire

eW Burst Compact Powercore, 2700 K, Gray Housing, UL/cUL/CE, Landscape
Luminaire only. Values in this specification sheet represent both the luminaire and spread lens
combined. Spread lens available below in Associated Part.

Item Number
523-000059-00

Item 12NC
910503701661

Associated Part

23° Spread lens
Trim Ring or Glare Shield required for mounting. Must be ordered separately.

120-000080-05

910503701416

Accessories

Trim Ring, Gray

120-000103-03

910503701420

45° Glare Shield, Gray

120-000103-04

910503701421

Full Height Glare Shield, Gray

120-000103-05

910503701422

Honeycomb Louver, Black

120-000104-01

910503701419

DM-1000 0-10 V ELV Dimmer

109-000036-00

912400135916

Wiring Compartment, 4 in diameter, Gray, CE (cover not included)

106-000011-42

910503703277

Wiring Compartment, 4 in diameter, Gray, UL (cover not included)

106-000011-32

910503704149

Architectural Mounting Arm, Short, Gray

120-000206-00

912400136642

Architectural Mounting Arm, Medium, Gray

120-000206-01

912400136643

Architectural Mounting Arm, Long, Gray

120-000206-02

912400136644



© 2023 Signify Holding. All rights reserved. Specifications are subject to change without notice.
No representation or warranty as to the accuracy or completeness of the information included
herein is given and any liability for any action in reliance thereon is disclaimed.

03/27/2023

Color Kinetics
www.colorkinetics.com/global/products/essentialwhite/ewburstcompactpc/