

eW Burst Compact Powercore

Date: _____

Type: _____

Firm Name: _____

Project: _____

4000 K, 8° (No Spread Lens), White Housing, UL/cUL, Architectural

Exterior compact architectural and landscape spotlight with single temperature white light

eW Burst Compact Powercore is a high-output, exterior LED spotlight designed for accent and site lighting. Architectural and landscape versions deliver high-quality white light in a warm 2700 K and a neutral 4000 K to support a range of uplighting, floodlighting, and decorative lighting applications.



- Integrates patented Powercore technology—Powercore rapidly, efficiently, and accurately controls power output to luminaires directly from line voltage, eliminating the need for an external power supply. Contractor-friendly installation dramatically simplifies installation and lowers total system cost.
- Support for a wide range of architectural and landscape applications—Architectural luminaires feature an integrated yoke with canopy base for mounting to standard US junction boxes or directly to a flat surface or substrate as local codes permit. Landscape luminaires feature a 1/2 in NPT threaded post for mounting to standard junction boxes and third-party mounting accessories such as stanchion mounts, posts, and stakes for use in softscape and hardscape applications.
- Exchangeable optics and accessories—Available 14°, 23°, 41°, and asymmetric 10° x 41° spread lenses project a soft-edge beam to support a wide range of lighting applications. Native 8° beam angle offers extended light projection. Available glare shields block spill light, while honeycomb louvers limit the spread of light for a more focused and intense beam.
- Versatile light positioning—Luminaires can tilt through a full 180°. Architectural luminaires can also rotate through a full 360° for precise aiming. Locking screws accept standard hex wrenches to secure luminaires firmly in position.
- Universal power input range—Accepts a universal power input range of 100 to 277 VAC, allowing the installation of multiple units in a continuous run.
- Outdoor rated—With a rugged, die-cast aluminium housing fully sealed for maximum luminaire life and IP66-rated for outdoor applications, eW Burst Compact Powercore is ideal for use in damp or wet locations.

For detailed product information, please refer to the Burst Product Guide at www.colorkinetics.com/global/products/essentialwhite/ewburstcompactpc/

Specifications

Due to continuous improvements and innovations, specifications may change without notice.

Output

Color Temperature *	4000 K
Beam Angle	8°
Lumens †	812
Efficacy (lm/W)	53.8
CRI	81

Electrical

Input Voltage	100 to 277 VAC, auto-ranging, 50/60 Hz
Power Consumption (Maximum at full output, steady state)	15 W
Power Factor	0.99 @ 120 VAC
Surge Limits ¶	1 kV maximum differential (L to N) 2 kV maximum common (L to Gnd or N to Gnd)

For additional Surge Protection Requirements for LED Lighting Systems, please refer to www.colorkinetics.com/KB/surge-protection.

Control

Dimmer ‡

Compatible with selected commercially available reverse-phase ELV-type dimmers

Lumen Maintenance

Threshold§	Ambient Temperature	Reported ¶¶	Calculated ¶¶
L ₇₀	25 °C	90,000	
	50 °C	50,000	
L ₅₀	25 °C	> 100,000	
	50 °C	90,000	

* Correlated color temperature (CCT) complies with ANSI C78.377-2008 for the chromaticity of solid state lighting products.

† Lumen output measurements comply with IES LM-79-08 testing procedures.

‡ Refer to www.colorkinetics.com/support/appnotes/ for more information.

§ L_{xx} = xx% lumen maintenance (when light output drops below xx% of initial output). All values are given at B10, or the median value where 90% of the LED population is better than the reported or calculated lumen maintenance measurement.

¶ Minimum surge limits per IEC 61547, tested in accordance with IEC 61000-4-5.

¶¶ Lumen maintenance figures are based on lifetime prediction graphs supplied by LED source manufacturers. Whenever possible, figures use measurements that comply with IES LM-80-08 testing procedures. In accordance with TM-21-11, Reported values represent the interpolated value based on six times the LM-80-08 total test duration (in hours). Calculated values represent time durations that exceed six times the total test duration.

Physical

Dimensions (Height x Width x Depth)	250 x 114 x 178 mm (9.85 x 4.5 x 7.0 in)
Weight	3.9 kg (8.7 lb)
Housing Material	Die-cast aluminium, white powder-coated finish
Lens	Tempered glass
Luminaire Connections	1.8 m (6 ft) unified power/data cable with flying leads

Temperature Ranges

-40 to 50 °C (-40 to 122 °F) Operating
-20 to 50 °C (-4 to 122 °F) Startup
-40 to 80 °C (-40 to 176 °F) Storage

Vibration Resistance

Complies with ANSI C136.31, 3G

Mechanical Impact IK07

Corrosion Resistance

Not suitable for salt spray or harsh chemical environments. Please refer to www.colorkinetics.com/KB/corrosion-resistance for more information.

Humidity 0 to 95%, non-condensing

Thermal Protection enabled

For additional Thermal Protection information, please refer to <https://colorkinetics.helpdocs.io/article/sh301ducix>

Luminaire Run Lengths

To calculate luminaire run lengths and total power consumption for your specific installation, download the Configuration Calculator from www.colorkinetics.com/support/install_tool/

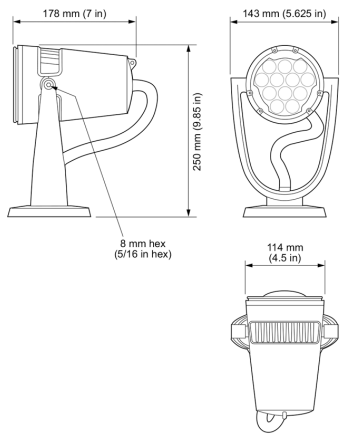
Certification and Safety

Approbation UL/cUL, FCC Class A, CE, C-Tick, SAA
Environment Dry/Damp/Wet Location, IP66

For additional Energy Efficiency Class Information, please refer to <https://colorkinetics.helpdocs.io/article/cvis2p8qq>.



Dimensions



Photometrics 4000 K, 8° native (no spread lens)

Photometric data is based on test results from an independent NIST traceable testing lab. IES data is available at www.colorkinetics.com/global/support/ies.

Beam Angle	8°
LED	4000 K
Lumens	812.0
Efficacy (lm/W)	53.8



Illuminance at Distance

	Center Beam fc	Beam Width
4.0 ft	1548 fc	0.6 ft
8.0 ft	387 fc	1.2 ft
12.0 ft	172 fc	1.7 ft
16.0 ft	97 fc	2.3 ft
20.0 ft	62 fc	2.9 ft
24.0 ft	43 fc	3.5 ft

Zonal Lumen

Zonal Lumen Summary		
ZONE	LUMENS	%FIXT
0- 30	744	91.6
0- 40	773	95.2
0- 60	803	98.9
0- 90	812	100.0
90-180	0	0.0
0-180	812	100.0

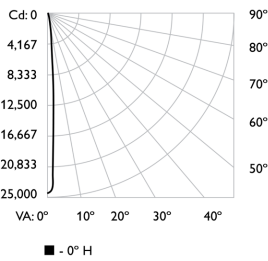
47.9 m (157 ft) Beam Spread: 8.0°
1 fc maximum distance

For lux multiply fc by 10.7

Coefficients of Utilization - Zonal Cavity Method

RC	Effective Floor Cavity Reflectance: 20%																			
	80			70			50			30			10			0				
RW	70	50	30	10	70	50	30	10	50	30	10	50	30	10	50	30	10	50	30	10
0	1191	191	119	119	1161	161	116	116	1111	111	111	1061	061	106	1021	021	102	100		
1	1161	141	121	111	1131	121	101	099	1081	071	06	1041	031	033	1011	001	00	98		
2	1131	101	071	05	1111	081	061	04	1051	031	02	1021	011	00	100	98	98	96		
3	1101	061	031	01	1081	051	021	00	1031	00	99	100	99	97	98	97	96	94		
4	1081	031	00	98	1061	02	99	97	100	98	96	99	97	95	97	95	94	93		
5	1061	01	98	95	1041	00	97	95	99	96	94	97	95	93	96	94	93	92		
6	104	99	96	93	103	98	95	93	97	94	93	96	94	92	95	93	91	91		
7	102	97	94	92	101	97	94	92	96	93	91	95	92	91	94	92	90	90		
8	101	96	93	91	100	95	92	90	94	92	90	94	91	90	93	91	89	89		
9	99	94	91	89	99	94	91	89	93	91	89	93	90	89	92	90	88	88		
10	98	93	90	89	97	93	90	88	92	90	88	92	90	88	91	89	88	87		

Polar Candela Distribution



Candela Table

0	24760
5	8489
15	188
25	93
35	43
45	28
55	10
65	6
75	3
85	0
90	0

Luminaire and Accessories

Use Item Number when ordering in North America

Luminaire	Item Number	Item 12NC
eW Burst Compact Powercore, 4000 K, White Housing, UL/cUL, Architectural	523-000059-19	910503701935
Accessories		
14° Spread lens	120-000080-04	910503701415
23° Spread lens	120-000080-05	910503701416
41° Spread lens	120-000080-06	910503701417
10° x 41° Spread lens	120-000080-07	910503701418
Trim Ring, White	120-000103-15	910503701826
45° Glare Shield, White	120-000103-16	910503701827
Full Height Glare Shield, White	120-000103-17	910503701828
Honeycomb Louver, Black	120-000104-01	910503701419
DM-1000 0-10 V ELV Dimmer	109-000036-00	912400135916
Architectural Mounting Arm, Short, Gray	120-000206-00	912400136642
Architectural Mounting Arm, Medium, Gray	120-000206-01	912400136643
Architectural Mounting Arm, Long, Gray	120-000206-02	912400136644
Wiring Compartment, 4 in diameter, White, CE	106-000011-41	910503703276
Wiring Compartment, 4 in diameter, White, UL	106-000011-31	910503704148

