

Blast Powercore gen5, eW

Date: _____

Type: _____

Firm Name: _____

Project: _____

4000 K, 100 – 277 VAC, 40° spread lens, Gray housing

Exterior customizable luminaire with single temperature white light

Blast Powercore gen5, eW high-performance LED luminaires provide a high-intensity wash of white light with simplified installation. Blast Powercore gen5 offers a range of accessories that allow for customizable beam angles for floodlighting, spotlighting, wall washing, and grazing, along with the efficiency and cost-effectiveness of Powercore technology in a rugged die-cast aluminium housing.



- Expands customization with a wide range of new accessory options. In addition to the native 6° lens, five different spread lenses can customize the luminaire to produce 20°, 40°, 60°, 80°, and 10° x 40° (asymmetric) beam angles. Three housing color choices (black, gray, and white)—plus the option to add or combine a louver, rock guard, full glare shield, and half glare shield—create new aesthetic possibilities for designers and architects.
- Meets ASTM B117 standard for > 1,500 hours of corrosion resistance and ANSI C136.31-2010 standard with a 3G vibration rating.
- Improves durability with new flat lens that prevents water from pooling into the luminaire, keeping the LEDs protected and secure over the course of a luminaire's lifetime.
- Integrates patented Powercore technology that controls power output to luminaires directly from line voltage—rapidly, efficiently, and accurately.
- The Color Kinetics Data Enabler Pro merges line voltage with control data and delivers them to luminaires over a single standard cable, dramatically simplifying installation and lowering total system cost.
- Universal power input range of 100 to 277 VAC.
- Precision Dimming—Smooth dimming down to 1% with optional Data Enabler Pro and digital control interface.
- Works seamlessly with the complete Color Kinetics line of controllers, including ColorDial Pro, iPlayer 3, and Light System Manager – as well as third-party controllers.

For detailed product information, please refer to the Blast Product Guide at <https://www.colorkinetics.com/global/products/essentialwhite/blast-powercore-gen5-ew>

Specifications

Due to continuous improvements and innovations, specifications may change without notice.

Output

Color Temperature *	4000 K
Beam Angle	40°
Lumens †	2,949
Efficacy (lm/W)	63.9
CRI	81.7

Electrical

Input Voltage	100 to 277 VAC, auto-ranging, 50/60 Hz
Power Consumption (Maximum at full output, steady state)	46.2 W
Power Factor	0.9 @ 120 VAC, 0.85 @ 277 VAC
Surge Limits ¶	2 kV maximum differential (L to N) 4 kV maximum common (L to Gnd or N to Gnd)

For additional Surge Protection Requirements for LED Lighting Systems, please refer to www.colorkinetics.com/KB/surge-protection.

Control

Dimmer ‡

ON/OFF; precision dimming by 4 conductor cable & Data Enabler Pro

Remote Monitoring & Management Works with Interact Landmark

Lumen Maintenance

Threshold§	Ambient Temperature	Reported ¶¶	Calculated ¶¶
L ₉₀	25 °C	>44,202	>44,202
	50 °C	>44,202	>44,202
L ₇₀	25 °C	>60,000	>100,000
	50 °C	>60,000	>100,000
L ₅₀	25 °C	-	>100,000
	50 °C	-	>100,000

* Correlated color temperature (CCT) complies with ANSI C78.377-2008 for the chromaticity of solid state lighting products.

* Correlated color temperature (CCT) complies with ANSI C78.377-2008 for the chromaticity of solid state lighting products.

† Lumen measurement complies with IES LM-79-08 testing procedures.

‡ Refer to <https://colorkinetics.helpdocs.io/article/to07h0er3f> for more information about dimming.

§ L_{xx} = xx% lumen maintenance (when light output drops below xx% of initial output). All values are given at B10, or the median value where 90% of the LED population is better than the reported or calculated lumen maintenance measurement.

¶ Minimum surge limits per IEC 61547, tested in accordance with IEC 61000-4-5.

¶¶ When mounting to a junction box, the Color Kinetics wiring compartment accessory must be used to maintain a 3G vibration rating.

¶¶¶ Lumen maintenance figures are based on lifetime prediction graphs supplied by LED source manufacturers. Whenever possible, figures use measurements that comply with IES LM-80-08 testing procedures. In accordance with TM-21-11, Reported values represent the interpolated value based on six times the LM-80-08 total test duration (in hours). Calculated values represent time durations that exceed six times the total test duration.

Physical

Dimensions (Height x Width x Depth)	183.7 x 337.8 x 171.2 mm (7.2 x 13.2 x 6.74 in)
Weight	3.9 kg (8.2 lb)
Effective Projected Area (EPA) (Luminaire plus Full Glare Shield)	0.068 m ² (0.73 ft ²)
Housing Material	Die-cast aluminium, silver gray powder-coated finish
Lens	Clear tempered glass
Luminaire Connections	1.8 m (6 ft) unified power/data cable

Temperature Ranges

-40 to 50 °C (-40 to 122 °F) Operating

-20 to 50 °C (-4 to 122 °F) Startup

-40 to 80 °C (-40 to 176 °F) Storage

Vibration Resistance

Complies with ANSI C136.31, 3G

Mechanical Impact

IK10

Corrosion Resistance

Complies with ASTM B117 standard for > 1,500 hours

Humidity

0 to 95%, non-condensing

Thermal Protection enabled

For additional Thermal Protection information, please refer to

<https://colorkinetics.helpdocs.io/article/sh301ducix>

Luminaire Run Lengths

To calculate luminaire run lengths and total power consumption for your specific installation, download the Configuration Calculator from

www.colorkinetics.com/support/install_tool/

Certification and Safety

Approbation UL/cUL, FCC Class B, CE, PSE, CQC, RCM, EAC, UA

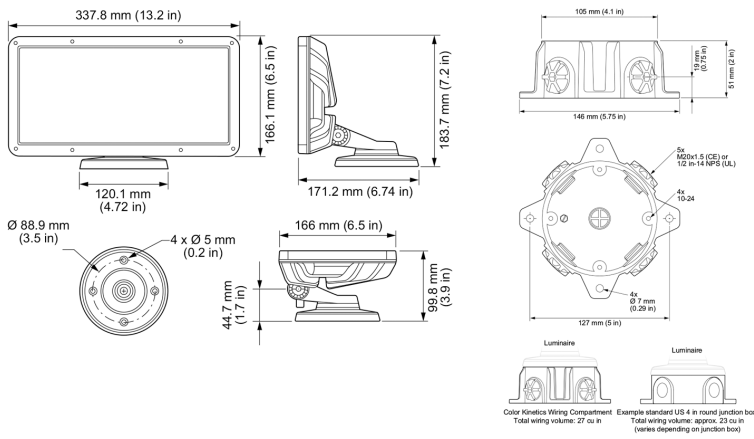
Environment Dry/Damp/Wet Location, IP66

For additional Energy Efficiency Class Information, please refer to

<https://colorkinetics.helpdocs.io/article/cviis2p8qq>.



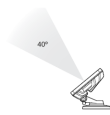
Dimensions



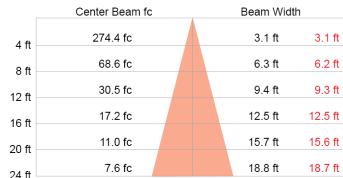
Photometrics 4000 K, 40° spread lens

Photometric data is based on test results from an independent NIST traceable testing lab. IES data is available at www.colorkinetics.com/global/support/ies.

Beam Angle	40°
LED	4000 K
Lumens	2,949.0
Efficacy (lm/W)	63.9



Illuminance at Distance



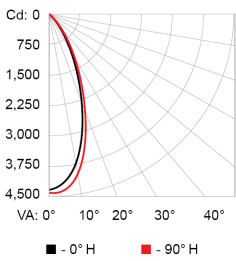
20.1 m (66 ft) 1 fc maximum distance
 Vert. Spread: 42.7°
 Horiz. Spread: 42.5°

Zonal Lumen

Zone	Lumens	% Luminaire
0-30	2042.3	69.2%
0-40	2525.3	85.6%
0-60	2870.4	97.3%
60-90	72.8	2.5%
70-100	26.2	0.9%
90-120	0.4	0.0%
0-90	2943.2	99.8%
90-180	6.0	0.2%
0-180	2949.2	100.0%

For lux multiply fc by 10.7

Polar Candela Distribution



	0	25	45	70	90
0	4391	4391	4391	4391	4391
5	4151	4223	4283	4343	4377
15	3092	3173	3255	3332	3391
25	1564	1640	1661	1681	1726
35	672	734	766	798	800
45	255	280	317	340	335
55	95	102	108	115	117
65	44	46	48	51	51
75	18	20	21	23	23
85	3	3	4	5	5
90	0	0	0	0	1

Coefficients of Utilization - Zonal Cavity Method

RCC %:	Effective Floor Cavity Reflectance: 20%														
	80			70			50			30			10		
RW %:	70	50	30	0	70	50	30	0	50	30	20	50	30	20	0
RCR:	0	1.19	1.19	1.19	1.16	1.16	1.16	1.00	1.11	1.11	1.11	1.06	1.06	1.06	1.02
1	1.13	1.10	1.08	1.05	1.11	1.08	1.06	0.93	1.04	1.02	1.00	1.00	0.99	0.97	0.97
2	1.07	1.02	0.98	0.95	1.05	1.01	0.97	0.87	0.97	0.94	0.91	0.94	0.92	0.89	0.91
3	1.02	0.95	0.90	0.86	1.00	0.94	0.89	0.81	0.91	0.87	0.84	0.89	0.85	0.82	0.86
4	0.97	0.89	0.83	0.79	0.95	0.88	0.82	0.75	0.85	0.81	0.77	0.83	0.80	0.76	0.81
5	0.92	0.83	0.77	0.73	0.90	0.82	0.77	0.70	0.80	0.76	0.72	0.79	0.74	0.71	0.77
6	0.87	0.78	0.72	0.68	0.86	0.77	0.72	0.66	0.76	0.71	0.67	0.74	0.70	0.67	0.73
7	0.83	0.74	0.68	0.63	0.82	0.73	0.67	0.62	0.72	0.66	0.63	0.70	0.66	0.62	0.69
8	0.79	0.70	0.64	0.59	0.78	0.69	0.63	0.58	0.68	0.63	0.59	0.67	0.62	0.59	0.66
9	0.75	0.66	0.60	0.56	0.74	0.65	0.60	0.55	0.64	0.59	0.56	0.63	0.59	0.55	0.63
10	0.72	0.63	0.57	0.53	0.71	0.62	0.57	0.52	0.61	0.56	0.53	0.60	0.56	0.53	0.60

Luminaire and Accessories

Use Item Number when ordering in North America

Luminaire

	Item Number	Item 12NC
Blast Powercore gen5, eW, 4000 K, 100 – 277 VAC, Gray housing Luminaire only. Values in this specification sheet represent both the luminaire and spread lens combined. Spread lens available below in Associated Part.	523-000110-09	912400137712

Associated Parts

40° Spread lens	120-000185-09	912400130345
Trim Ring required for mounting. Must be ordered separately.		

Accessories

Trim Ring, Gray	120-000185-15	912400133530
Louver, Gray	120-000185-17	912400133532
Rock Guard, Gray	120-000185-18	912400133533
Half Glare Shield, Gray	120-000185-19	912400133534
Full Glare Shield, Gray	120-000185-16	912400133531
Wiring Compartment UL/cUL, Gray	106-000011-32	910503704149
Wiring Compartment CE, Gray	106-000011-42	910503703277
Architectural Mounting Arm, for use with Blast, Graze, Graze Compact, Burst Architectural, and Vaya Flood. Short, gray	120-000206-00	912400136642
Architectural Mounting Arm, for use with Blast, Graze, Graze Compact, Burst Architectural, and Vaya Flood. Medium, gray	120-000206-01	912400136643
Architectural Mounting Arm, for use with Blast, Graze, Graze Compact, Burst Architectural, and Vaya Flood. Long, gray	120-000206-02	912400136644

Power Supplies

Data Enabler Pro (required to digitally dim unit), 3/4 in / 1/2 in NPT (U.S. trade size conduit)	106-000004-00	910503701210
Data Enabler Pro (required to digitally dim unit), PG21/PG13 (metric size conduit)	106-000004-01	910503701211

